

June 7, 1938.

H. J. KLINE

2,119,881

DETACHABLE SAILING KEEL FOR ROW BOATS AND THE LIKE

Filed Nov. 18, 1936

Fig. 1.

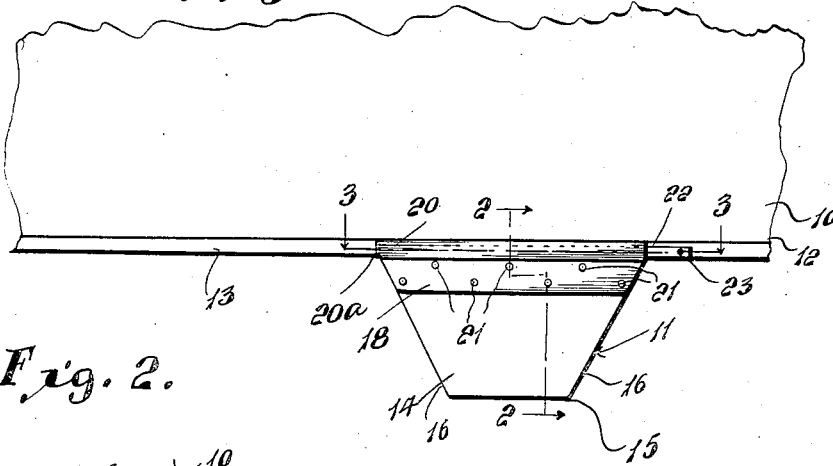


Fig. 2.

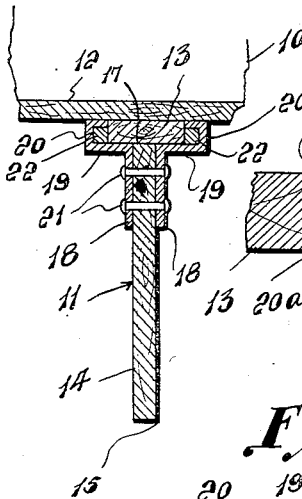


Fig. 3.

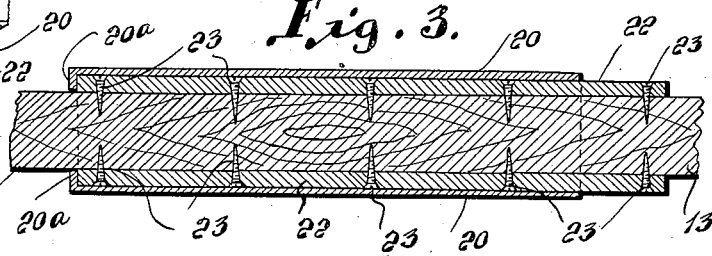
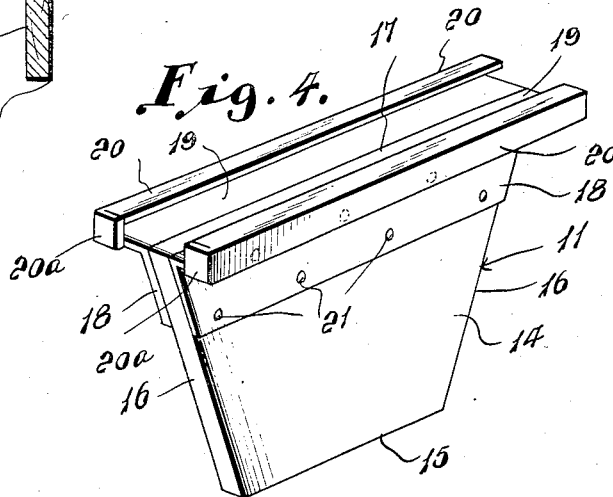


Fig. 4.



Inventor

Harold J. Kline

384

J. M. Bryant
Attorney.