

Feb. 23, 1971

W. L. BAHNE, JR

3,564,632

ADJUSTABLE SURFBOARD FIN HOLDER

Filed Oct. 17, 1968

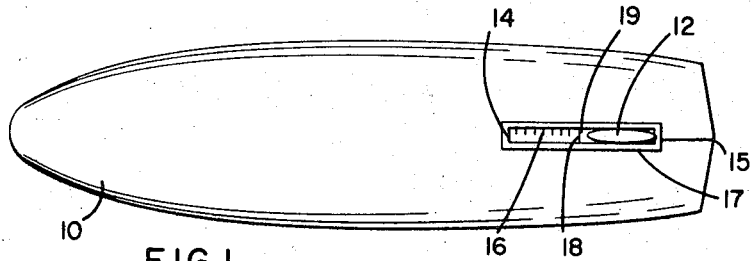


FIG. 1

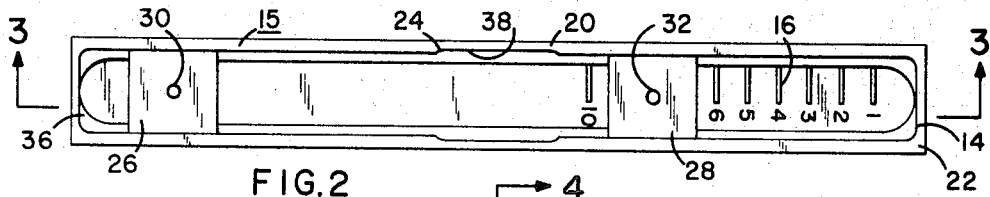


FIG. 2

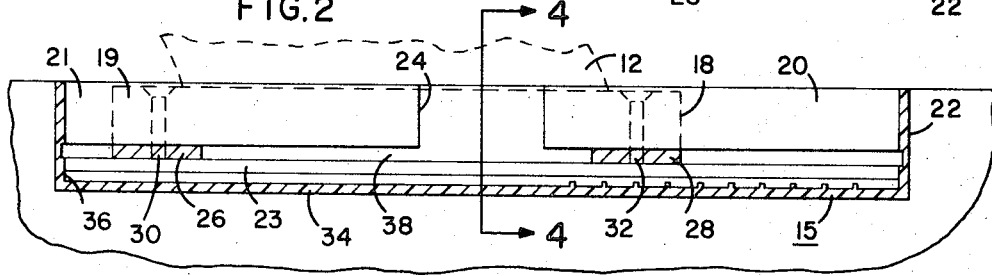


FIG. 3

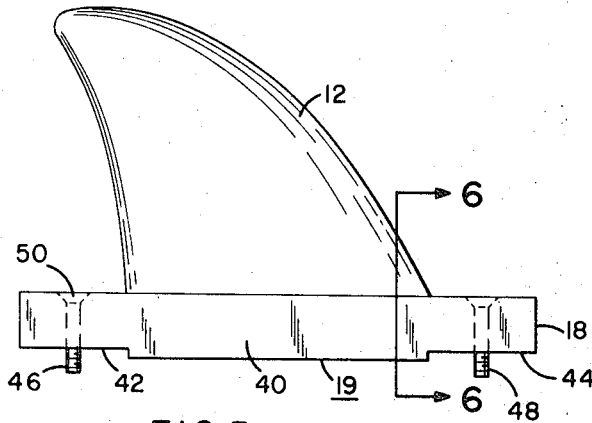


FIG. 4

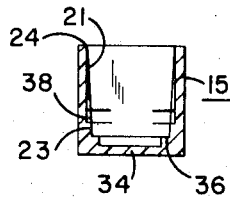


FIG. 5

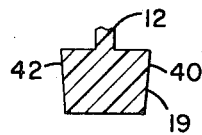


FIG. 6

INVENTOR.  
WILLIAM L. BAHNE Jr.

BY

*Carl R. Braun*

ATTORNEY